

4

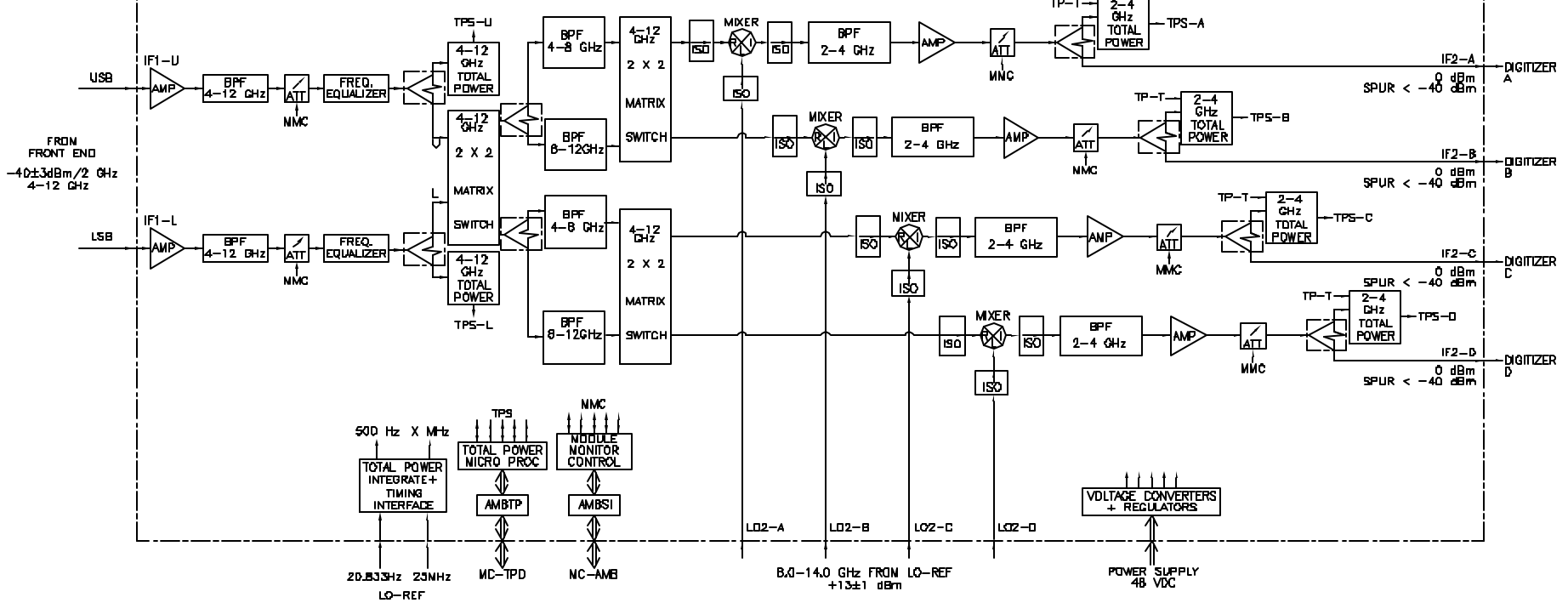
3

2

1

REV	DATE	DRAWN BY	APPRV'D BY	DESCRIPTION

DOWNCONVERTER, ALMA CONSTRUCTION, MODULE



ACAD : 06002KX002

UNLESS OTHERWISE SPECIFIED
DIMENSIONS ARE IN INCHES
2 DIMS. ARE IN MILLIMETERS

TOLERANCES : FRACTIONS ±
 + PLACE DECIMALS (XXX) ±
 ± PLACE DECIMALS (XXX) ±
 ± PLACE DECIMALS (XX) ±
 ± PLACE DECIMALS (X) ±
 ± PLACE DECIMALS (0) ±

MATERIAL :

FINISH :

NEXT ASSEMBLY :
DWG. TYPE :

ANTENNA SIGNAL PROCESSING (ASP)
DOWNCONVERTER (DC)

ALMA CONSTRUCTION
BLOCK DIAGRAM

SHEET NUMBER 1 of 1 DRAWING NUMBER ALMA06002KX0002

NATIONAL RADIO ASTRONOMY OBSERVATORY
SOGORRO, NEW MEXICO 87801

DRAWN BY: M. SULLIVAN DATE: 2000/09/29
 DESIGNED BY: B. BRUNDAGE DATE: 2000/08/28
 APPROVED BY: B. BRUNDAGE DATE: 2000/10/02

SCALE: NONE

PROPERTY OF NRAO